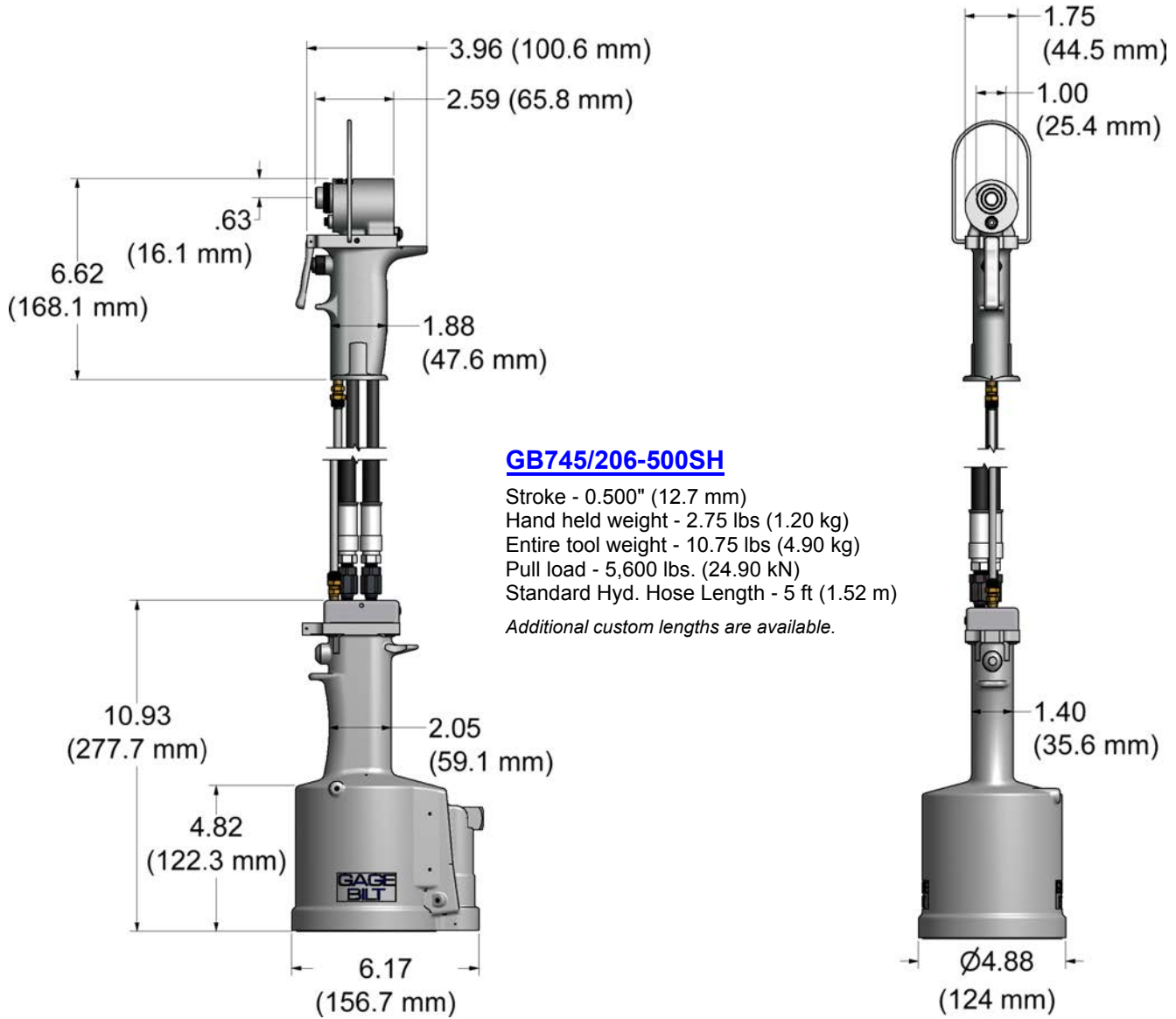


GB745/206-500SH

INSTALLATION TOOL



GB745/206-500SH

Stroke - 0.500" (12.7 mm)
 Hand held weight - 2.75 lbs (1.20 kg)
 Entire tool weight - 10.75 lbs (4.90 kg)
 Pull load - 5,600 lbs. (24.90 kN)
 Standard Hyd. Hose Length - 5 ft (1.52 m)
Additional custom lengths are available.

DESCRIPTION

The GB745/206-500SH Split Riveter Pneumatic-Hydraulic Installation Tool is designed specifically for the efficient installation of blind rivet and lockbolt fasteners. It has a 0.500" (12.70 mm) rivet setting stroke with a rated pull load of 5,600 lbs. (24.90 kN) at 90 psi. (6.20 bar) air pressure at the air inlet.

The GB745/206-500SH comes with 8 ft. (2.40 m) of hose and a remote actuator. The unique "split" system provides the operator with an ergonomic tool with a reduced hand-held weight of just 2.75 lbs. (1.20 kg) for a fraction of the cost of other cumbersome power rigs. The entire split riveter weighs 10.75 lbs. (4.90 kg).


The GB745/206-500SH Split Riveter operates on 90-100 psi. (6.2-6.9 bar) of air pressure, with 90 to 100 psi. (6.2-6.9 bar) providing maximum efficiency. At 90 psi. (6.20 bar) air pressure the GB745/206-500SH does not exceed 81.50 dB(A) and consumes 0.30 SFC/ cycle (8.50 L/cycle).

NOSE ASSEMBLIES ARE NOT FURNISHED WITH THIS RIVETER AND MUST BE ORDERED SEPARATELY.

GAGE BILT
 **MADE in USA**



INNOVATIVETOOLING
 On the leading edge of Aircraft Tooling

 800-832-7009

 sales@innovativetooling.com

 innovativetooling.com



GB745/206-500SH SELECTION CHART & ACCESSORIES



INNOVATIVETOOLING

On the leading edge of Aircraft Tooling

800-832-7009

sales@innovativetooling.com

innovativetooling.com

ACCESSORIES

Fill Bottle

#745263

(Sold Separately)



Air Bleeder Assy

#704153

(Equivalent to #700A77)

(Sold Separately)



Catcher Bag-Stem

#704214

(Equivalent to #670A20)

(Sold Separately)



Catcher Bag-Stem

#756610

(Sold Separately)

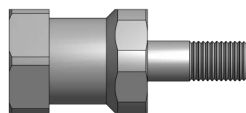


Adapter Assy

#206751

Adapts GAGE BILT CHERRY® and HUCK® 3/4" Nose Assemblies to: GB745/206-500 Installation Tool

(Sold Separately)



Grip Gage #GB105093

(Equivalent to #105093)

For NAS LOCKBOLTS and blind fasteners

(Sold Separately)



Gage Bilt offers a wide selection of standard and custom kits tailored to your needs.

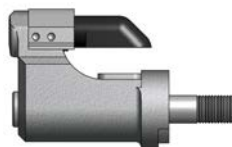
Contact us for more information.

(Sold Separately)



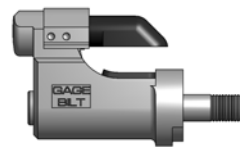
Standard

(Sold Separately)



Straddle Nose

(Sold Separately)



Long

(Sold Separately)



FASTENER	DIA.	STANDARD	STRADDLE NOSE (1)	LONG
LOCKBOLT, NAS SHEAR PULL TYPE, NAS TENSION PULL TYPE, NAS= SHEAR & GP® NAST=TENSION	5/32" 3/16" 1/4"	NAST05-206G-25OS NASS05-206G-25OS NAS06-206G-25OS NAS08-206G-25OS	NAST05-206G-30OS NASS05-206G-30OS NAS06-206H-30OS NAS08-206G-30OS	NAST05-206G-34OS NASS05-206G-34OS NAS06-206G-34OS NAS08-206G-34OS
MGP®	4mm 5mm 6mm	MGP4-206G-25OS MGP5-206G-25OS MGP6-206G-25OS	MGP4-206G-30OS MGP5-206H-30OS MGP6-206H-30OS	MGP4-206G-34OS MGP5-206G-34OS MGP6-206G-34OS
LGP® Light weight Groove Proportion LOCKBOLT	5/32" 3/16" 7/32" 1/4"	LGP05-206G-25OS LGP06-206G-25OS LGP07-206G-25OS LGP08-206G-25OS	LGP05-206G-30OS LGP06-206H-30OS LGP07-206G-30OS LGP08-206G-30OS	LGP05-206G-34OS LGP06-206G-34OS LGP07-206G-34OS LGP08-206G-34OS
MLGP®	4mm 5mm 6mm	MLGP4-206G-25OS MLGP5-206G-25OS MLGP6-206G-25OS	MLGP4-206G-30OS MLGP5-206G-30OS MLGP6-206G-30OS	MLGP4-206G-34OS MGLP5-206G-34OS MGLP6-206G-34OS
BLIND RIVET (SINGLE ACTION) WITH OR W/OUT DRIVE WASHER NAS1900 S & U SERIES	1/8" 5/32" 3/16" 1/4"	SMLS04-206H-27OS SMLS05-206H-27OS SMLS06-206H-27OS SMLS08-206H-27OS		SMLS04-206H-37OS SMLS05-206H-37OS SMLS06-206H-37OS SMLS08-206H-37OS
BLIND BOLT (SINGLE ACTION) WITH OR W/OUT DRIVE WASHER MS90353S & U / MS90354S & U MS21140S & U / MS21141S & U MAXI-BOLT®, BACB30YY, YU, & YT	5/32" 3/16" 1/4"	SB05-206H-27OS SB06-206H-27OS SB08-206H-27OS		SB05-206H-37OS SB06-206H-37OS SB08-206H-37OS
EN6122 & UAB130-EU EN6127 & UAB6127-EU EN6128 & UAB100-EU EN6129 & UABP-EU	3/16" 1/4"	UAB06-206H-27OS UAB08-206H-27OS		UAB06-206H-37OS UAB08-206H-37OS
BACR15FR/FP, BACR15GF/GK, NAS1900 S & U SERIES BLIND RIVET WITH DRIVE WASHER NAS9301-9312	1/4"	08MAX-206G-27OS		08MAX-206G-37OS
"A" CODE NAS1398A & NAS1399A	1/8" 5/32" 3/16" 1/4"	4A-206G-27OS 5A-206G-27OS 6A-206G-27OS SMLS08-206H-27OS		4A-206G-37OS 5A-206G-37OS 6A-206G-37OS SMLS08-206H-37OS
ASP® ASP2, ASP PF, ASP 4 FF, ASP 2 F, ASP 2 LC	13/64" 17/64" 21/64"	ASP06-206H-27OS ASP08-206H-27OS ASP10-206H-27OS		ASP06-206H-37OS ASP08-206H-37OS ASP10-206H-37OS
NAS1719, NAS1720, NAS1721	1/8" 5/32" 3/16"	MBC04-206G-27OS MBC05-206G-27OS MBC06-206G-27OS		MBC04-206G-37OS MBC05-206H-37OS MBC06-206G-37OS
GROUND STUD, BACCS53B 2	13/64" 17/64"	GS8-206G-32OS GS10-206G-32OS		GS8-206G-42OS GS10-206G-42OS

GP®, MGP®, LGP®, MLGP®, and ASP® ARE REGISTERED TRADEMARKS OF ARCONIC INC. MAXI-BOLT®, IS A REGISTERED TRADEMARK OF CHERRY AEROSPACE FASTENERS.

GAGE BILT CERTIFIES THE GB745/206-500 WILL INSTALL THE ABOVE FASTENERS

1) -30 STRADDLE NOSES ARE DESIGNED TO REACH OVER THE COLLAR.

2) BACCS53B -10 ONLY

NOTE: THE LAST 2 DIGITS OF THE NOSE ASSEMBLY REPRESENTS THE LENGTH THE NOSE EXTENDS FROM THE TOOL. I.E. -25 = 2.5 inches

Gage Bilt also supplies pin & collar swage inspection gages to certify correct swage installation (Sold Separately)

