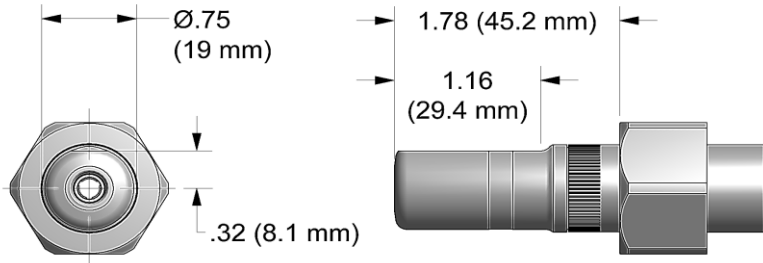
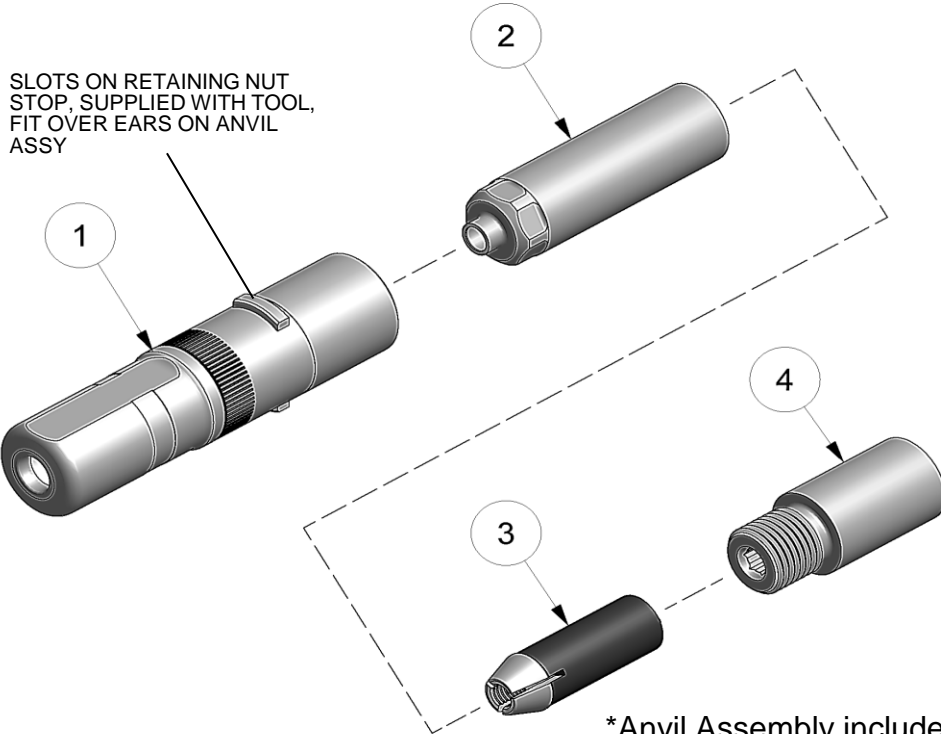


NOSE ASSEMBLY DATA SHEET



Use Hex-Key in rear of piston for nose assembly attachment.

Use Hex-Key in rear of extension-collet for collet disassembly.



*Anvil Assembly includes 35208 retainer
 **Red band designates nose assemblies for metric lightweight GP® fasteners.

11/15



GAGE BILT INNOVATIVE TOOLING
 ON THE LEADING EDGE OF AIRCRAFT TOOLING
 Est. 1986 | innovativetooling.com | 800-832-7009

Type:		Fastener:	Recommended Tool:
Non Self-Releasing 5mm Ø		MLGP® Lockbolts	GB731
			Alternate Tools: GBP2480
Ref. No.	Qty.	Description	MLGP5-2480-20
1	1	Anvil Assy	15541
2	1	Collet	20655
3	1	Suoer Grip Jaw Assy	30651-S
4	1	Extension-Collet	70636