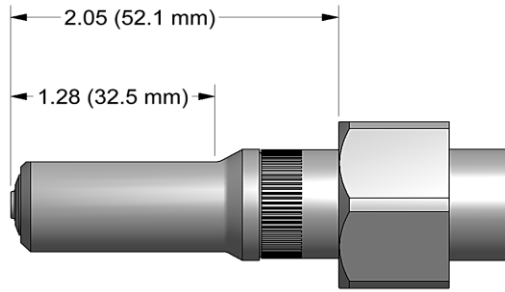
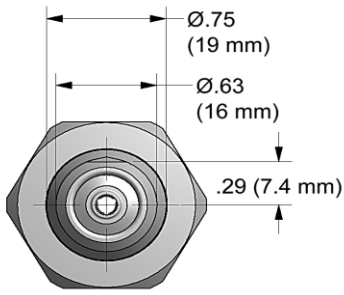
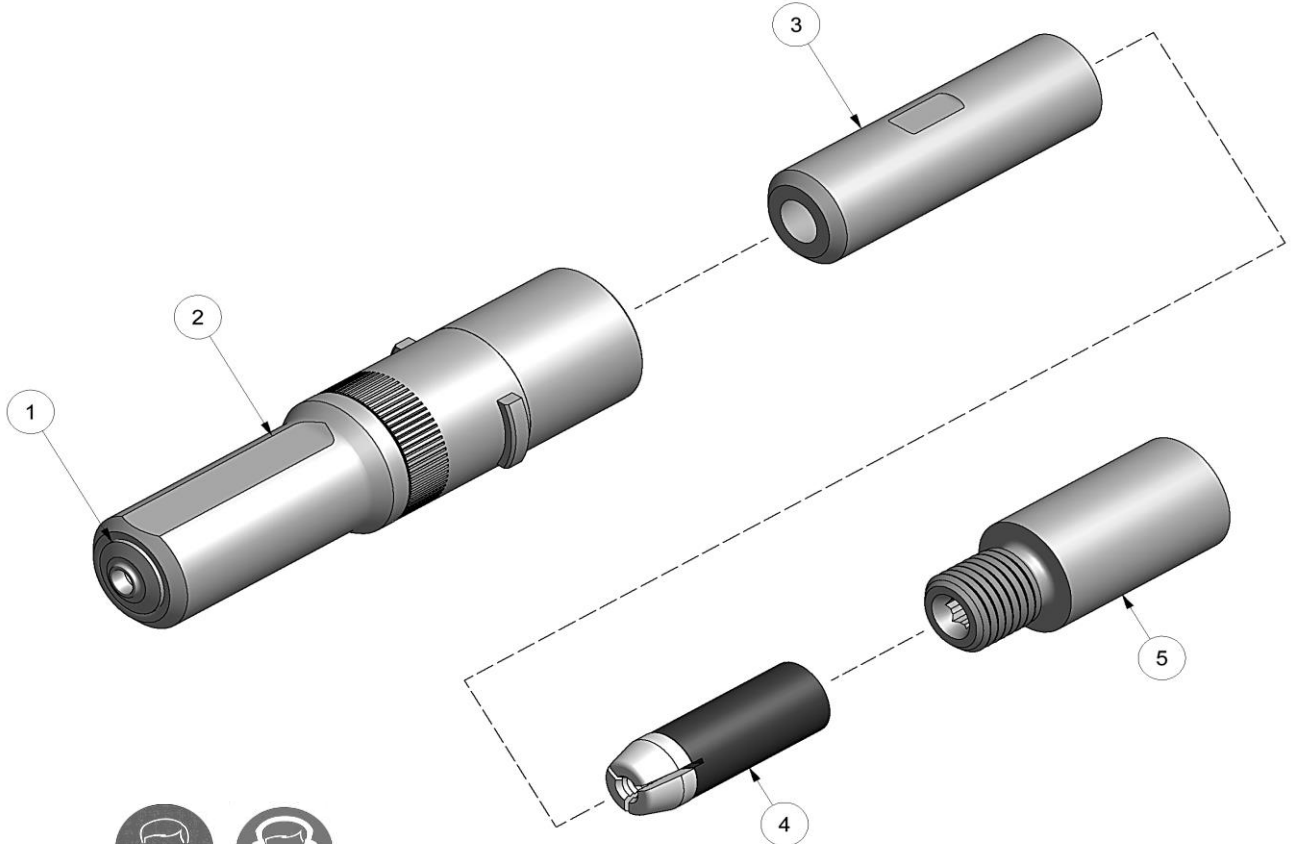


NOSE ASSEMBLY DATA SHEET



Use Hex-Key in rear of piston for nose assembly attachment.

Use Hex-Key in rear of collet extension for collet disassembly.



4/14 REV 3/15

*Anvil assembly consists of #1 and 35208 retainer.

GAGE BILT
MADE IN U.S.A.

INNOVATIVE TOOLING
ON THE LEADING EDGE OF AIRCRAFT TOOLING
Est. 1986 | innovativetooling.com | 800-832-7009

Type:		Fasteners:	Recommended Tool:
Non Self-Releasing 3/16" Ø		BLIND RIVET (SINGLE ACTION) WITH OR W/OUT DRIVE WASHER NAS1900 S & U SERIES	GB751
			Alternate Tools: GB722 & GB2480
Ref. No.	Qty.	Description	SMLS06-752B-20
1	1	Anvil Insert	16023
2	1	Anvil Assy (Inc. #1)	17748
3	1	Collet	20717
4	1	Super-Grip Jaw Assy	30656-S
5	1	Collet Extension	70550