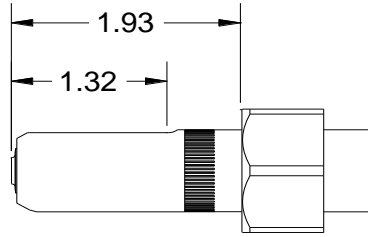
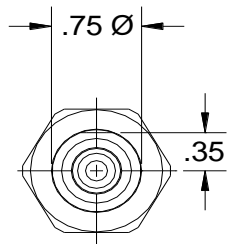
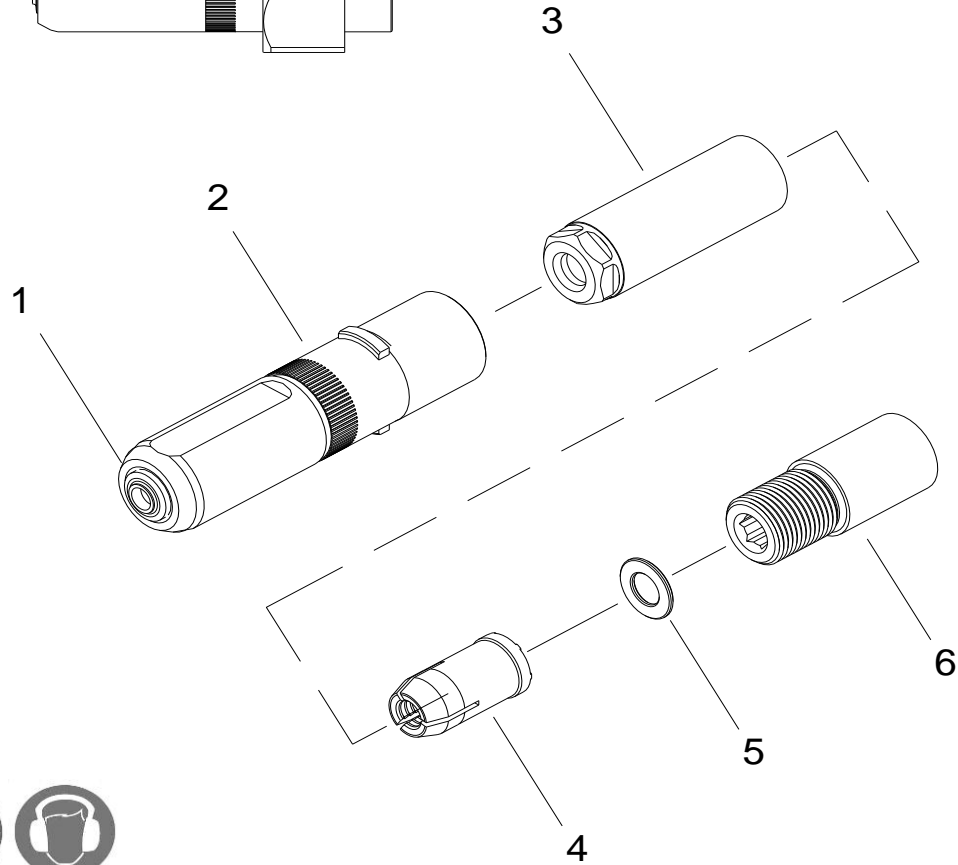


# NOSE ASSEMBLY DATA SHEET



Use Hex-Key in rear of piston for nose assembly attachment.



Rev. 2/14

**GAGE BILT INNOVATIVE TOOLING**  
 MADE IN U.S.A. ON THE LEADING EDGE OF AIRCRAFT TOOLING  
 Est. 1986 | [innovativetooling.com](http://innovativetooling.com) | 800-832-7009

Type:		Fastener:	Recommended Tool:
Non Self-Releasing 1/4" Ø		BLIND RIVET (SINGLE ACTION) WITH OR W/OUT DRIVE WASHER NAS1900 S & U SERIES	GB752
			Alternate Tools: GB722 & GB2480
Ref. No.	Qty.	Description	<b>SMLS08-713-20</b>
1	1	Anvil Insert	10868
2	1	Anvil Assembly (Inc. #1)	10939
3	1	Collet	20841
4	1	Super Grip Jaw Ass'y	30653-CS
5	1	Spacer	60844
6	1	Collet Extension	70823