



GB110A PARTS LIST



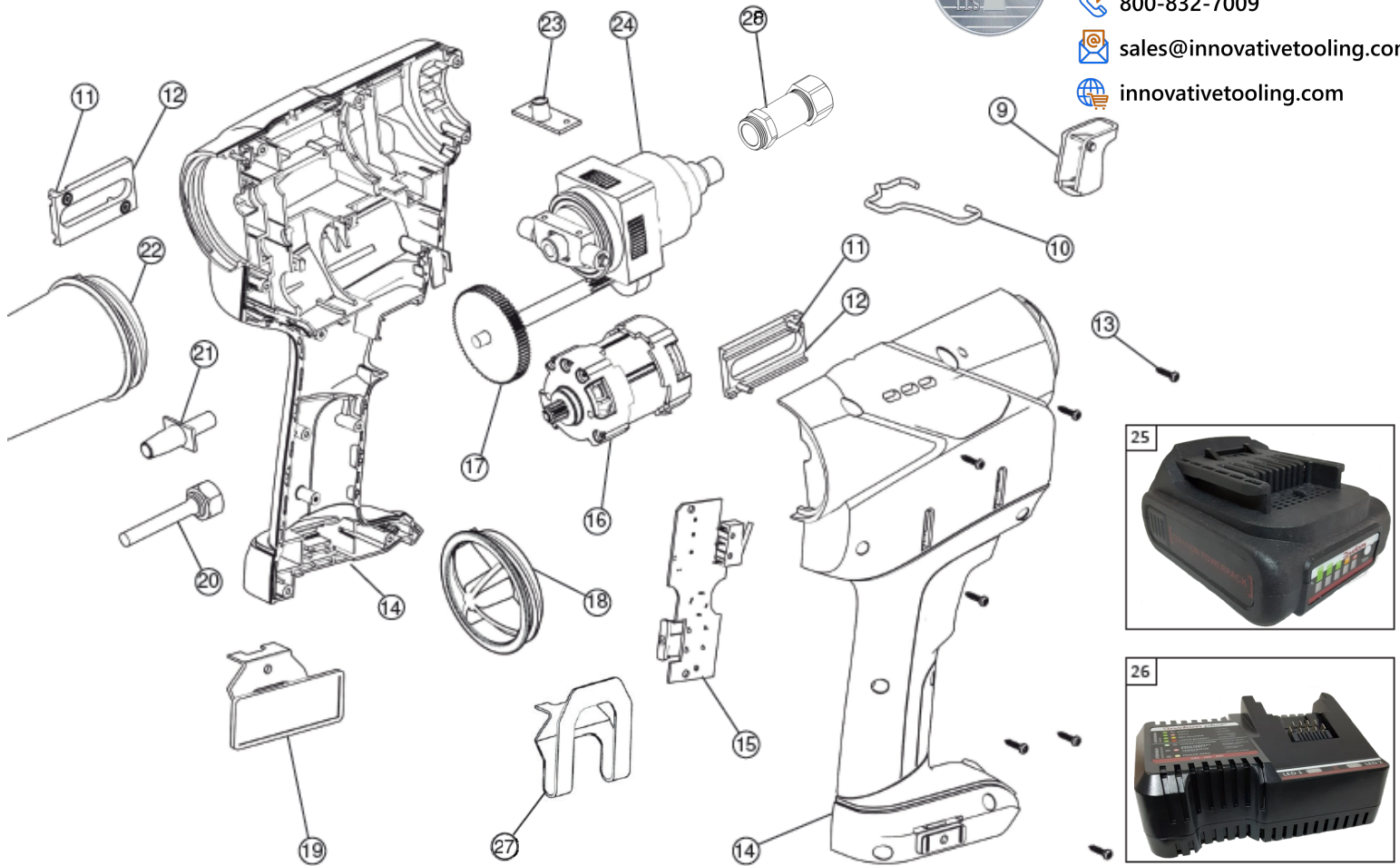
INNOVATIVE TOOLING

On the leading edge of Aircraft Tooling

800-832-7009

sales@innovativetooling.com

innovativetooling.com



| REF NO. | PART NO. | DESCRIPTION | QTY. | REF NO. | PART NO. | DESCRIPTION | QTY. |
|---------|----------|------------------------------------|------|---------|----------|---------------------------------|------|
| 9 | VP1316 | TRIGGER AND PRESSURE SPRING | 1 | 22b* | VP1356 | MANDREL CONTAINER L+ (8.0 CM) | 1 |
| 10 | VP1317 | HANGER | 1 | 22c* | VP1425 | MANDREL CONTAINER XL+ (11.0 CM) | 1 |
| 11 | VP1007 | SCREW FOR BEARING (2 PIECES) | 1 | 23 | VP1004 | MAGNET HOLDER WITH MAGNET | 1 |
| 12 | VP1285 | GEAR BOX BEARING | 1 | 24 | VP1352 | GEAR BOX COMPLETE | 1 |
| 13 | VP1011 | HOUSING SCREWS (1 SET = 10 PIECES) | 1 | 25a | VP1086 | Li-Ion BATTERY 20V / 2.0 Ahh | 2 |
| 14 | VP1346 | HOUSING (LEFT AND RIGHT) | 1 | 25b* | VP1357 | Li-Ion BATTERY 20V / 4.0 Ahh | 2 |
| 15 | VP1347 | ELECTRONIC ASSEMBLY COMPLETE | 1 | 26 | VP1087 | UNIVERSAL QUICK CHARGER 110V | 1 |
| 16 | VP1348 | MOTOR | 1 | 27 | VP1322 | BELT CLIP | 1 |
| 17 | VP1349 | PINION SHAFT ASSEMBLY | 1 | 28** | 110751 | ADAPTER ASSEMBLY | 1 |
| 18 | VP1321 | COVER CAP | 1 | 28a** | 110749 | COLLET ADAPTER | 1 |
| 19* | VP1323 | NAME PLATE | 1 | 28b** | 110750 | ADAPTER-ANVIL | 1 |
| 20 | VP1387 | MANDREL DISCHARGE TUBE | 1 | 28c** | 211102 | RETAINING NUT | 1 |
| 21 | VP1351 | PLASTIC TUBE | 1 | 28d** | 240102 | RETAINING NUT STOP | 1 |
| 22a | VP1002 | MANDREL CONTAINER L (8.0 CM) | 1 | NO FIG | VP1327 | SCREW FOR ELEC. ASSEMBLY | 1 |

* Sold Separately

GB110A/2-4Ah SHOWN ABOVE

**Adapter Assembly (110751) (28) includes: 110749 (28a), 110750 (28b), 211102 (28c) & 240102 (28d).
Apply blue Loctite® #242 to threads of piston on tool and on male threads of adapter-anvil (110750) before installation.

GB110A SERIES

| | |
|--------------|-------------------------------------|
| GB110A | Includes (1) VP1086 (2Ah Battery) |
| GB110A/2 | Includes (2) VP1086 (2Ah Batteries) |
| GB110A-4AH | Includes (1) VP1357 (4Ah Battery) |
| GB110A/2-4AH | Includes (2) VP1357 (4Ah Batteries) |

