



# GB110A PARTS LIST



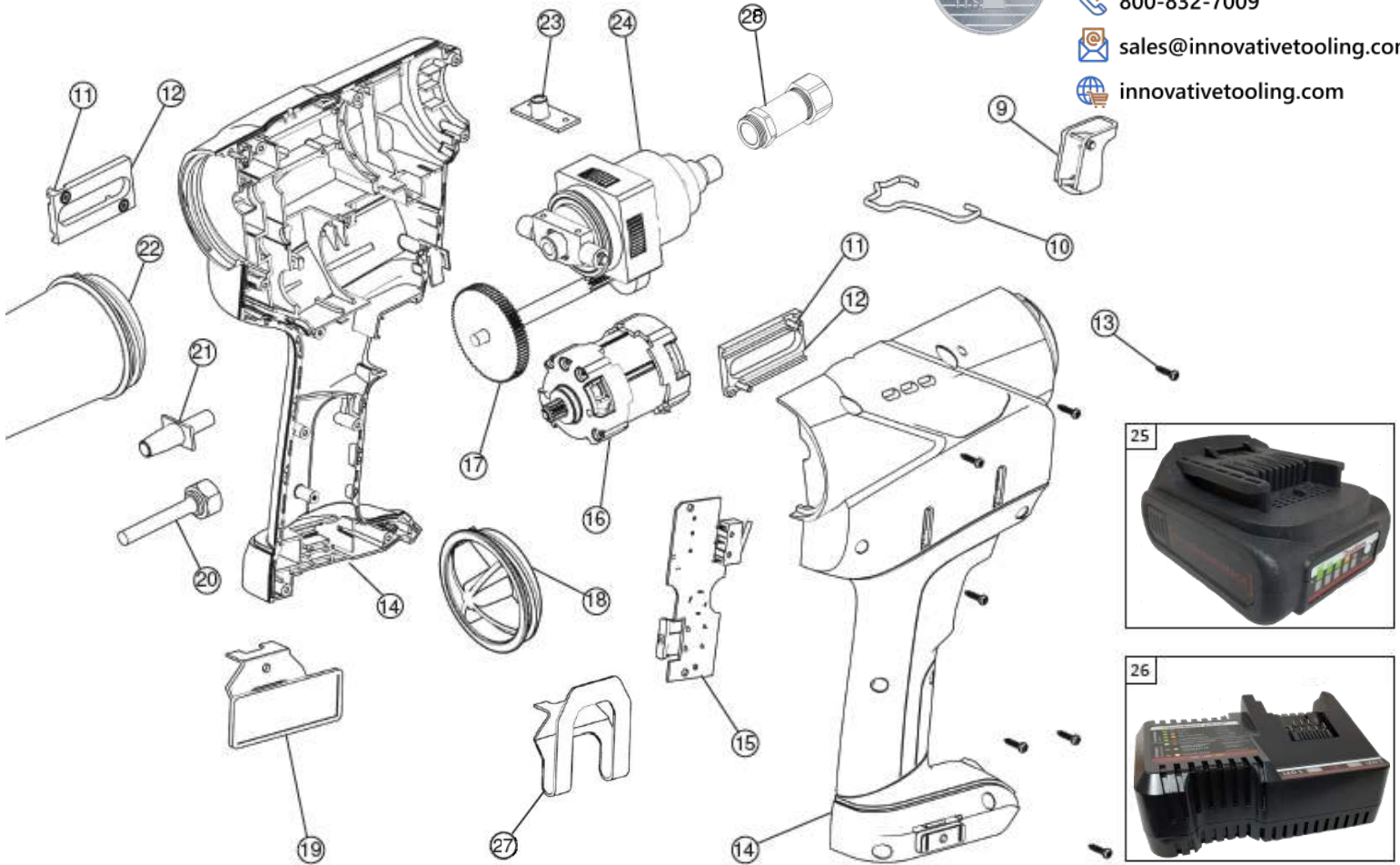
**INNOVATIVE TOOLING**

On the leading edge of Aircraft Tooling

800-832-7009

sales@innovativetooling.com

innovativetooling.com



REF NO.	PART NO.	DESCRIPTION	QTY.	REF NO.	PART NO.	DESCRIPTION	QTY.
9	VP1316	TRIGGER AND PRESSURE SPRING	1	22b*	VP1356	MANDREL CONTAINER L+ (8.0 CM)	1
10	VP1317	HANGER	1	22c*	VP1425	MANDREL CONTAINER XL+ (11.0 CM)	1
11	VP1007	SCREW FOR BEARING (2 PIECES)	1	23	VP1004	MAGNET HOLDER WITH MAGNET	1
12	VP1285	GEAR BOX BEARING	1	24	VP1352	GEAR BOX COMPLETE	1
13	VP1011	HOUSING SCREWS (1 SET = 10 PIECES)	1	25a	VP1086	Li-Ion BATTERY 20V / 2.0 Ahh	2
14	VP1346	HOUSING (LEFT AND RIGHT)	1	25b*	VP1357	Li-Ion BATTERY 20V / 4.0 Ahh	2
15	VP1347	ELECTRONIC ASSEMBLY COMPLETE	1	26	VP1087	UNIVERSAL QUICK CHARGER 110V	1
16	VP1348	MOTOR	1	27	VP1322	BELT CLIP	1
17	VP1349	PINION SHAFT ASSEMBLY	1	28**	110751	ADAPTER ASSEMBLY	1
18	VP1321	COVER CAP	1	28a**	110749	COLLET ADAPTER	1
19*	VP1323	NAME PLATE	1	28b**	110750	ADAPTER-ANVIL	1
20	VP1387	MANDREL DISCHARGE TUBE	1	28c**	211102	RETAINING NUT	1
21	VP1351	PLASTIC TUBE	1	28d**	240102	RETAINING NUT STOP	1
22a	VP1002	MANDREL CONTAINER L (8.0 CM)	1	NO FIG	VP1327	SCREW FOR ELEC. ASSEMBLY	1

\* Sold Separately

GB110A/2-4Ah SHOWN ABOVE

\*\*Adapter Assembly (110751) (28) includes: 110749 (28a), 110750 (28b), 211102 (28c) & 240102 (28d).  
Apply blue Loctite® #242 to threads of piston on tool and on male threads of adapter-anvil (110750) before installation.

GB110A SERIES	
GB110A	Includes (1) VP1086 (2Ah Battery)
GB110A/2	Includes (2) VP1086 (2Ah Batteries)
GB110A-4AH	Includes (1) VP1357 (4Ah Battery)
GB110A/2-4AH	Includes (2) VP1357 (4Ah Batteries)

