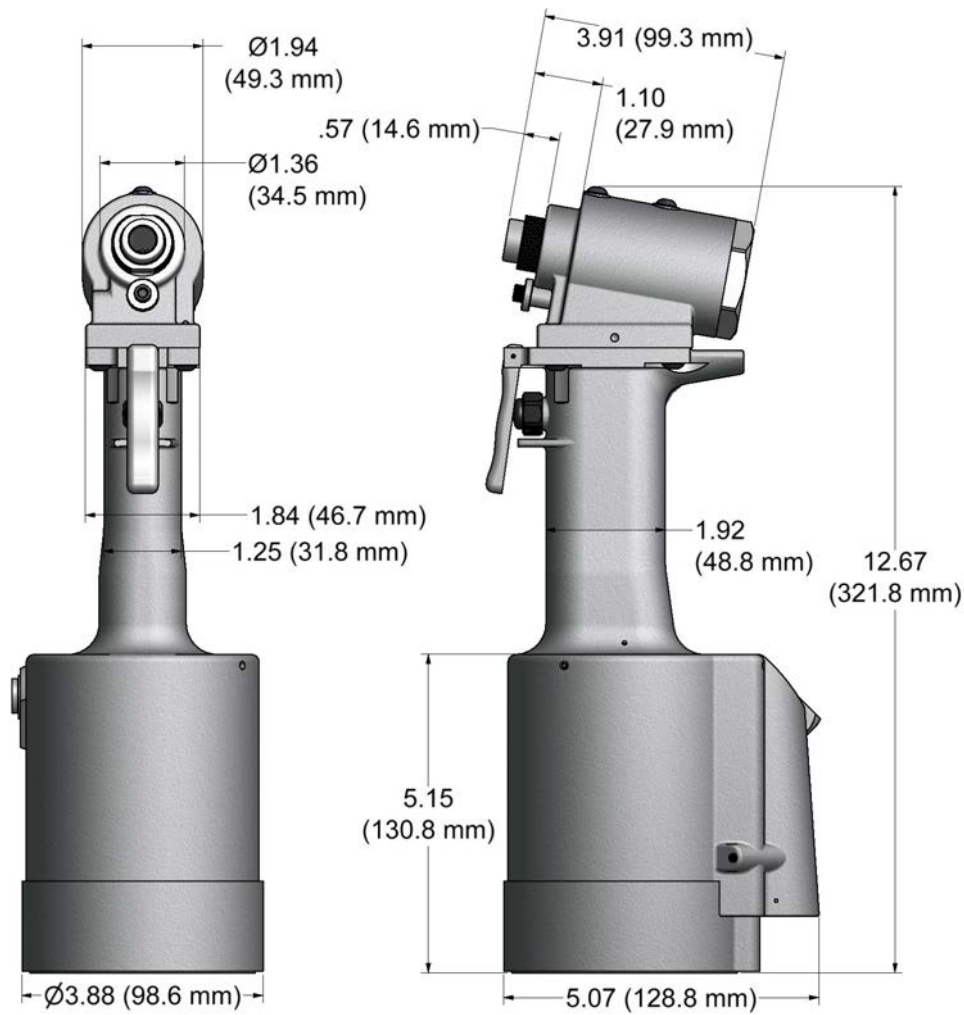


GB7310S

INSTALLATION TOOL



DESCRIPTION

The GB7310S is a pneumatic-hydraulic installation tool designed specifically for the efficient installation of blind rivets and lockbolts. It weighs 5.75 lbs. (2.61 kg) and can be operated in any position. It has a 0.600" (15.2 mm) rivet setting stroke and a rated pull load of 4800 lbs. (21.4 kN) on 90 psi (6.2 bar) air pressure at the air inlet.

The GB7310S installation tool operates on 90-100 psi (6.2-6.9 bar) of air pressure, with 90 psi. (6.2 bar) providing the maximum efficiency. At 90 psi (6.2 bar) air pressure, the GB7310S does not exceed 81.5 dB(A) and consumes 0.16 SCF/ cycle (4.53 L/cycle).

The air inlet is provided with 1/4-18 female pipe thread for accepting the user's air hose fitting.

NOSE ASSEMBLIES ARE NOT FURNISHED WITH THIS RIVETER AND MUST BE ORDERED SEPARATELY.

GB731OS Installation Tool



ACCESSORIES

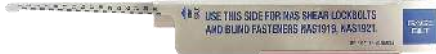
**Fill Bottle Assy
#745163**
(Sold Separately)



Grip Gage #269G3
(Similar to #269C3)
For CHERRYMAX® and CHERRY-LOCK® rivets
(Sold Separately)



Grip Gage #GB105093
(Equivalent to #105093)
For NAS LOCKBOLTS and blind fasteners
(Sold Separately)



RIVETER KITS

Gage Bilt offers a wide selection of standard and custom kits tailored to your needs. Contact us for more information.
(Sold Separately)

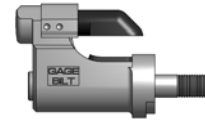


NOSE ASSEMBLY SELECTION CHART

STANDARD
(Sold Separately)

STRADDLE NOSE
(Sold Separately)

LONG
(Sold Separately)



FASTENER	DIA.	STANDARD	STRADDLE NOSE (1)	LONG
LOCKBOLT, NAS SHEAR PULL TYPE, NAS TENSION PULL TYPE, NASS = SHEAR & GP NAST = TENSION	5/32"	NAST05-204C-25O	NAST05-204C-30O	NAST05-204C-34O
	3/16"	NASS05-204C-25O	NASS05-204C-30O	NASS05-204C-34O
	1/4"	NAS08-204C-25OS	NAS08-204D-30OS	NAS08-204C-34OS
MGP®	4mm	MGP4-204C-25OS	MGP4-204C-30OS	MGP4-204C-34OS
	5mm	MGP5-204C-25OS	MGP5-204D-30OS	MGP5-204C-34OS
LGP® Light weight Groove Proportion LOCKBOLT	5/32"	LGP05-204C-25OS	LGP05-204C-30OS	LGP05-204C-34OS
	3/16"	LGP06-204C-25OS	LGP06-204D-30OS	LGP06-204C-34OS
	7/32"	LGP07-204C-25OS	LGP07-204D-30OS	LGP07-204C-34OS
	1/4"	LGP08-204C-25OS	LGP08-204D-30OS	LGP08-204C-34OS
MLGP®	4mm	MLGP4-204C-25OS	MLGP4-204C-30OS	MLGP4-204C-34OS
	5mm	MLGP5-204C-25OS	MLGP5-204C-30OS	MLGP5-204C-34OS
BLIND RIVET (SINGLE ACTION) WITH OR W/OUT DRIVE WASHER NAS1900 S & U SERIES	1/8"	SMLS04-204D-27OS		SMLS04-204D-37OS
	5/32"	SMLS05-204D-27OS		SMLS05-204D-37OS
	3/16"	SMLS06-204D-27OS		SMLS06-204D-37OS
	1/4"	SMLS08-204D-27OS		SMLS08-204D-37OS
BLIND BOLT (SINGLE ACTION) WITH OR W/OUT DRIVE WASHER MS90353S & U / MS90354S & U MS21140S & U / MS21141S & U MAXI-BOLT®, BACB30YY, YU, & YT	5/32"	SB05-204D-27OS		SB05-204D-37OS
	3/16"	SB06-204D-27OS		SB06-204D-37OS
	1/4"	SB08-204D-27OS		SB08-204D-37OS
EN6122 & UAB130-EU EN6127 & UAB6127-EU EN6128 & UAB100-EU EN6129 & UABP-EU	3/16"	UBB06-204D-27OS		UBB06-204D-37OS
	1/4"	UAB08-204D-27OS		UAB08-204D-37OS
BACR15FR/FP, BACR15GF/GK, NAS1900 S & U SERIES BLIND RIVET WITH DRIVE WASHER NAS9301-9312	1/4"	08MAX-204D-27OS		08MAX-204D-37OS
"A" CODE NAS1398A & NAS1399A	1/8"	4A-204D-27OS		4A-204D-37OS
	5/32"	5A-204D-27OS		5A-204D-37OS
	3/16"	6A-204D-27OS		6A-204D-37OS
	1/4"	SMLS08-204D-27OS		SMLS08-204D-37OS
ASP® 2, ASP PF, ASP 4 FF, ASP 2 F, ASP 2 LC	13/64"	ASP06-204D-27OS		ASP06-204D-37OS
	17/64"	ASP08-204D-27OS		ASP08-204D-37OS
	21/64"	ASP10-204D-27OS		ASP10-204D-37OS
NAS1719, NAS1720, NAS1721 & MBC	1/8"	MBC04-204D-27OS		MBC04-204D-37OS
	5/32"	MBC05-204D-27OS		MBC05-204D-37OS
	3/16"	MBC06-204D-27OS		MBC06-204D-37OS
GROUND STUD, BACS53B 2	13/64"	GS8-204D-32OS		GS8-204D-42OS
	17/64"	GS10-204D-32OS		GS10-204D-42OS

MGP®, LGP®, MLGP®, AND ASP® ARE REGISTERED TRADEMARKS OF ARCONIC INC. MAXI-BOLT® IS A REGISTERED TRADEMARK OF CHERRY AEROSPACE FASTENERS.

GAGE BILT CERTIFIES THE GB731OS WILL INSTALL THE ABOVE FASTENERS

1) -30 STRADDLE NOSES ARE DESIGNED TO REACH OVER THE COLLAR.

2) BACS53B -10 ONLY

NOTE: THE LAST 2 DIGITS OF THE NOSE ASSEMBLY REPRESENTS THE LENGTH THE NOSE ASSEMBLY EXTENDS FROM THE TOOL. (Le. -27 = 2.7 inches)



Gage Bilt also supplies pin & collar swage inspection gages to certify swage installation.
(Sold Separately)

