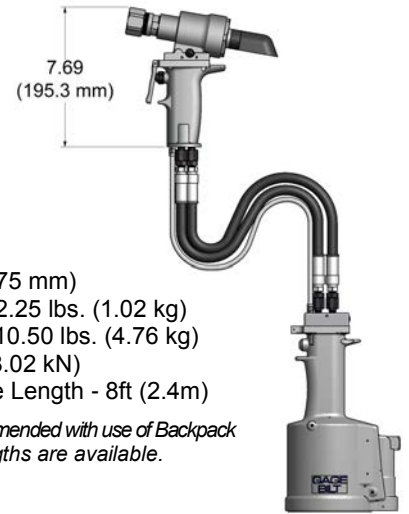
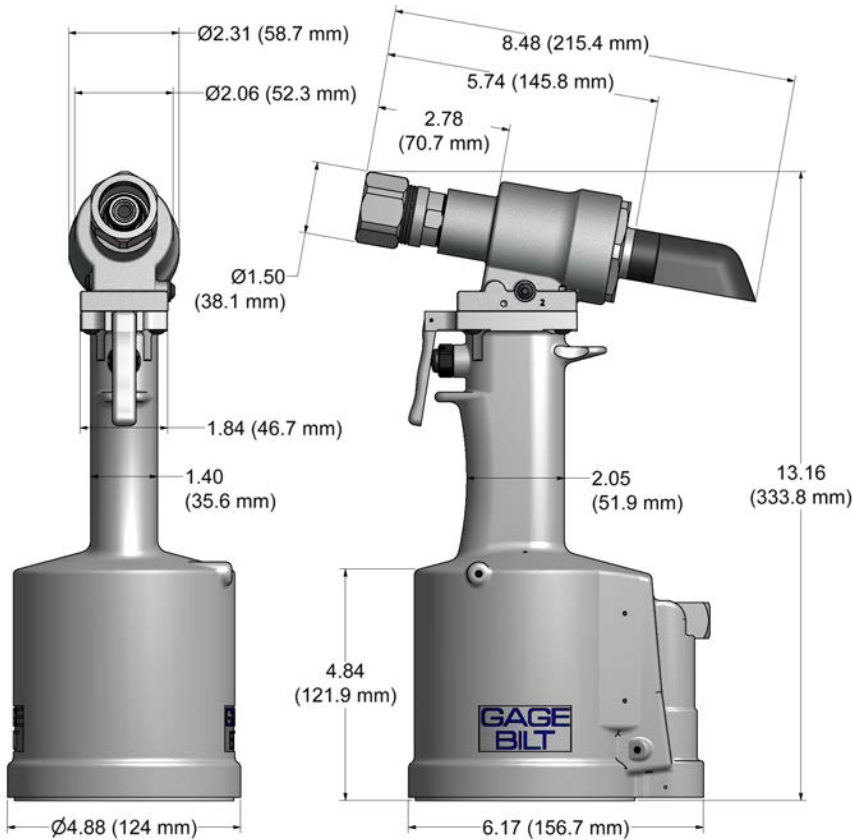


# GB745

## INSTALLATION TOOL

### GB745

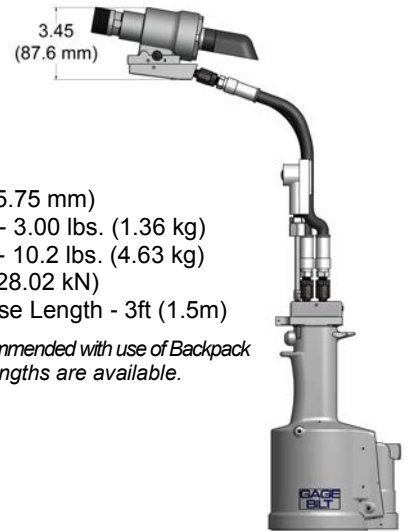
Stroke - 0.620" (15.75 mm)  
 Tool weight - 7.20 lbs. (3.26 kg)  
 Pull load - 6,300 (28.02 kN)



### GB745SH

Stroke - 0.620" (15.75 mm)  
 Hand held weight - 2.25 lbs. (1.02 kg)  
 Entire tool weight - 10.50 lbs. (4.76 kg)  
 Pull load - 6,300 (28.02 kN)  
 Standard Hyd. Hose Length - 8ft (2.4m)

*5ft Hyd. Hoses are recommended with use of Backpack  
 Additional custom lengths are available.*



### GB745SR

Stroke - 0.620" (15.75 mm)  
 Hand held weight - 3.00 lbs. (1.36 kg)  
 Entire tool weight - 10.2 lbs. (4.63 kg)  
 Pull load - 6,300 (28.02 kN)  
 Standard Hyd. Hose Length - 3ft (1.5m)

*5ft Hyd. Hoses are recommended with use of Backpack  
 Additional custom lengths are available.*

### DESCRIPTION

The GB745 is a pneumatic-hydraulic tool designed specifically for the efficient installation of blind rivets, lockbolts and MAGNA-GRIP® fasteners. It weighs just over 7 lbs. (3.17 kg) and can be operated in any position. It has a 0.620" (16.26 mm) rivet setting stroke and a rated pull load of 6,300 (28.02 kN) pounds with 90 psi (6.2 bar) air pressure at the air inlet.

The GB745SH and GB745SR riveters offer a unique "split" system providing the operator with an ergonomic tool with reduced hand held weight. The GB745SH comes with 8 feet (2.4 m) of hose and the GB745SR comes with 3 feet (1.5 m) of hose. Use with our "NEW" Split-System Backpacks to increase user mobility, ergonomics and productivity. Contact GAGE BILT for more information.

The GB745 riveter operates on 90 to 100 psi (6.2-6.9 bar) of air pressure, with 90 psi. (6.2 bar) providing the maximum efficiency. At 90 psi. (6.2 bar) of air pressure, the GB745 does not exceed 80 dB(A) and consumes .30 SCF/cycle (8.50 L/cycle). The air inlet is provided with 1/4-18 female pipe thread for accepting the user's air hose fitting.

Nose Assemblies that were designed for the Model 353 Installation Tool mount directly on the GB745 without the use of an adapter.

Nose Assemblies that were designed for the Model 352 Installation Tool will attach to the GB745 with the use of the nose assembly adapter (745751).

**NOSE ASSEMBLIES ARE NOT FURNISHED WITH THIS INSTALLATION TOOL AND MUST BE ORDERED SEPARATELY.**

### Covered under Patent No. 5,485,727



