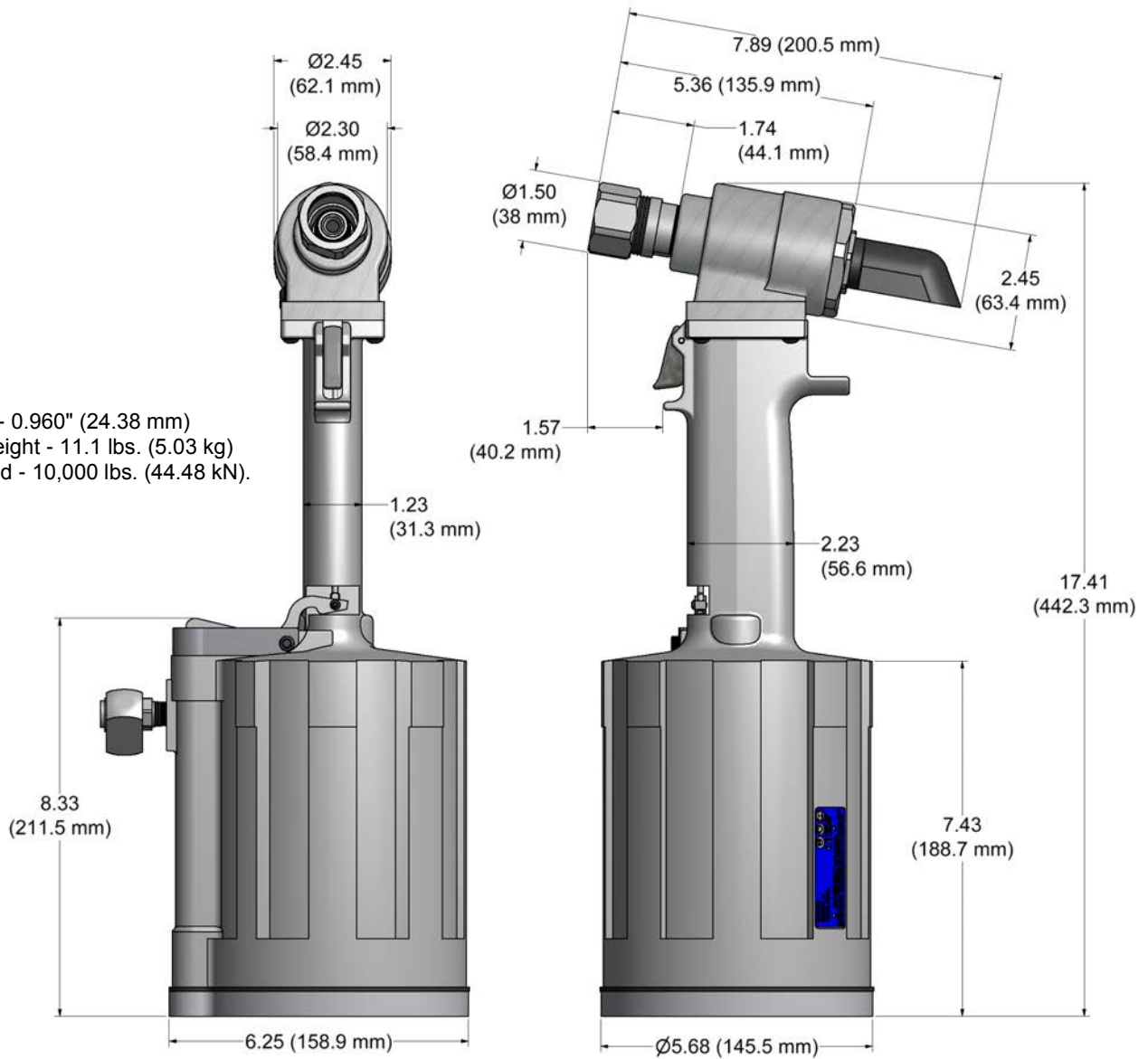


GB756

INSTALLATION TOOL

GB756

Stroke - 0.960" (24.38 mm)
 Tool weight - 11.1 lbs. (5.03 kg)
 Pull load - 10,000 lbs. (44.48 kN).



DESCRIPTION

The GB756 is a hydraulic installation tool designed specifically for the efficient installation of blind fasteners, lockbolts and Magna-Grip® fasteners thru 3/8" diameter. It weighs 11.1 lbs. (5.03 kg) and can be operated in any position. It has a 0.960" (24.38 mm) fastener setting stroke and a rated pull load of 10,000 lbs. (44.48 kN).

The GB756 installation tool operates on 90 to 100 psi (6.2-6.9 bar) of air pressure, providing the maximum efficiency. At 90 psi. (6.2 bar) of air pressure, the GB756 does not exceed 81.5 dB (A) and consumes 6.0 cfm at 20 cycles per minute.

The air inlet is provided with 1/4-18 female pipe thread for accepting the user's air hose fitting.

NOSE ASSEMBLIES ARE NOT FURNISHED WITH THIS RIVETER AND MUST BE ORDERED SEPARATELY.



ACCESSORIES (SOLD SEPARATELY)

NOSE ASSEMBLIES (SOLD SEPARATELY)

Air Bleeder Assy #704153 (Sold Separately)

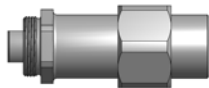


Catcher Bag-Stem #756610 (Sold Separately)



Adapter Assy #353204

Adapts 204 series noses to GB756 tool Use 756152 Stroke Limiter with 204 series noses (Sold Separately)



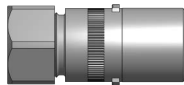
Adapter Assy #353205

Adapts 205 series noses to GB756 tool Use 756153 Stroke Limiter with 205 series noses (Sold Separately)



Adapter Assy #745751

Adapts -54 & -58 RA series noses to GB756 tool Use 756155 stroke limiter with -54RA noses Use 756152 stroke limiter with -58RA noses (Sold Separately)



Stroke Limiter #756152

Required with all offset 204 & -58RA series nose assy's when used on GB756 tool. Use 353204 adapter with 204 noses Use 745751 adapter with -58RA noses (Sold Separately)



Stroke Limiter #756153

Required with all offset 205 series nose assy's when used on GB756 tool. Use 353205 adapter with 205 noses (Sold Separately)



Stroke Limiter #756155

Required with all -54RA series nose assy's when used on GB756 tool. Use 745751 adapter with -54RA noses



RIVETER KITS

Gage Bilt offers a wide selection of standard and custom kits tailored to your needs. Contact us for more information.



STRAIGHT

RIGHT ANGLE

OFFSET



Table with columns: FASTENER, DIA., STRAIGHT, **RIGHT ANGLE, *OFFSET. Lists various fastener types and their corresponding part numbers for different nose assembly configurations.

ASP®, BOM®, LGP®, C6L®, GP®, and MAGNA-GRIP® ARE REGISTERED TRADEMARKS OF ARCONIC INC. AVBOLT®, AVDELOK®, and MAXLOK® ARE REGISTERED TRADEMARKS OF AVDEL UK LIMITED. MXI-BOLT® IS A REGISTERED TRADEMARK OF CHERRY AEROSPACE FASTENERS.

GAGE BILT CERTIFIES THE GB756 WILL INSTALL THE ABOVE FASTENERS

See www.gagebilt.com/nose_assemblies.php for nose assembly information (data sheets)

Summary table of requirements for different nose assembly types, including stroke limiter and adapter requirements.

NOTE: THE LAST 2 DIGITS OF THE NOSE ASSEMBLY REPRESENTS THE LENGTH THE NOSE EXTENDS FROM THE TOOL. I.E. -20 = 2.0 INCHES

GAGE BILT ALSO SUPPLIES PIN & COLLAR SWAGE INSPECTION GAGES TO CERTIFY CORRECT SWAGE INSTALLATION.



Grip Gage #GB105093 For NAS LOCKBOLTS and blind fasteners (Sold Separately)

